



# The Yale Window Hinge.

A versatile hinge to suit a variety of applications.



**Yale Door and Window Solutions**  
 School Street, Willenhall, West Midlands WV13 3PW, UK  
 T: 01902 366800 F: 01902 369041  
[www.yaledws.co.uk](http://www.yaledws.co.uk)

**THE YALE BRAND**, with its unparalleled global reach and range of products, reassures more people in more countries than any other consumer locking solution.

**THE ASSA ABLOY GROUP** is the world's leading manufacturer and supplier of locking solutions, dedicated to satisfying end-user needs for security, safety and convenience.

© Yale, August 2017



Due to a continuous programme of development the company reserves the right to make alterations without notice.  
 (Products which are not a stocked item will be subject to a longer lead time which needs to be agreed with your Yale representative).

## Versatile by design

- Made from ferritic stainless steel
- Standard and highline stack heights
- Compatible with PVCu, timber and aluminium windows
- Hinge sizes available:
  - Top hung: 8" 10" 12" 16" 20" 24"
  - Side hung: 8" 12" 16"
  - Egress: 12" 16"
- Slider with friction

## Built to last

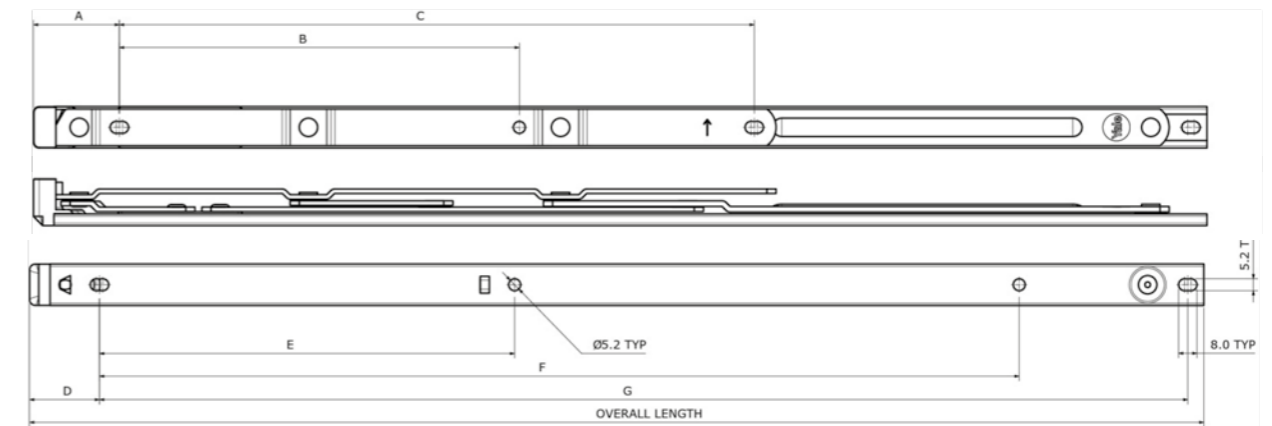
- Endurance tested to 20,000 cycles
- Corrosion tested to 96 hours NSS
- 10 year mechanical guarantee

## Industry approved

- BBA-certified, ensuring high standards of quality and performance
- Tested to BS 6375 parts 1 and 2 for window performance:
  - BS 6375-1:2015 classification for weathertightness and guidance on selection and specification
  - BS 6375-2:2009 classification for operation and strength characteristics and guidance on selection and specification (operational cycling in BS 6375-2 tested to BS EN 1191 - resistance to repeated opening and closing)
- Tested to BS EN 1670 - Grade 3 corrosion resistance (96 hours)
- Secured By Design compliant when fitted with Yale ancillary security devices

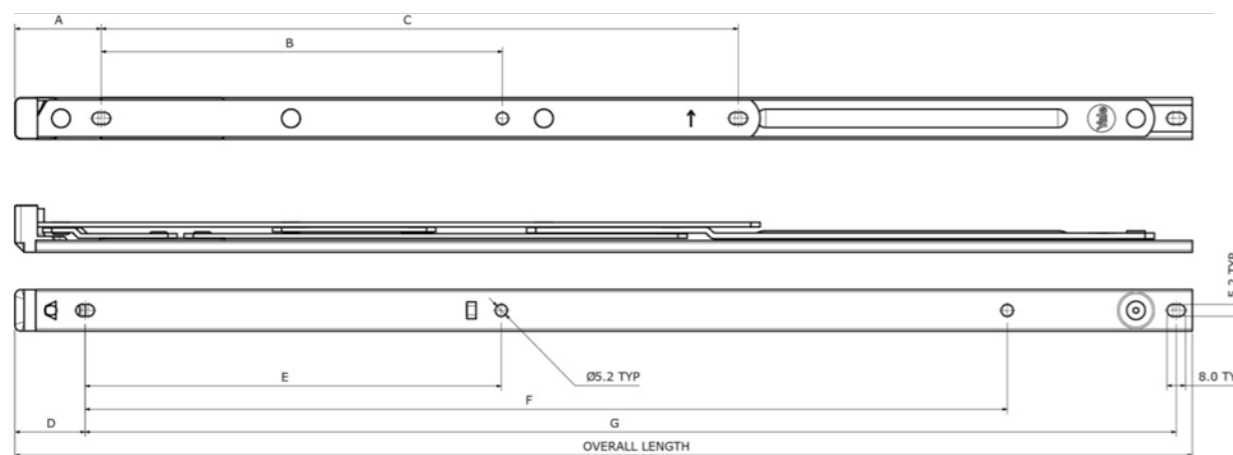
## Yale Fixing Hole Summary Highline

Hinge Code	Vent Arm Fixings					Track Fixings		Overall Length	
	16-18mm	A	B	C	D	E	F		G
YU8-H		37.5	16.0	119.5	30.5	138.0	-	172.4	209.9
YT10-H		37.5	52.0	150.0	30.5	151.5	-	223.5	261.0
YU12-H		37.5	77.0	175.0	30.5	197.0	-	276.5	313.5
YT16-H		37.5	127.5	225.2	30.5	197.8	-	379.5	416.5
YT20-H		37.5	174.5	277.0	30.5	181.0	401.0	474.5	512.0
YT24-H		37.5	226.0	332.0	30.5	189.5	439.5	579.5	617.0
YS16-H		37.5	100.0	226.5	30.5	202.0	-	374.5	412.0
YEO12-H6/H7		39.5	44.0	159.5	30.5	111.8	-	269.0	306.5
YEO16-H6/H7		39.5	103.4	223.0	30.5	111.8	-	371.6	409.1
YEC12-H6/H7		39.5	44.0	159.5	30.5	269.0	-	280.0	317.5
YEC16-H6/H7		39.5	103.4	223.0	30.5	371.6	-	382.6	420.1



## Yale Fixing Hole Summary Standard

Hinge Code	Vent Arm Fixings					Track Fixings		Overall Length	
	13-14mm	A	B	C	D	E	F		G
YU8		37.5	16.0	119.5	30.5	138.0	-	172.4	209.9
YT10		37.5	52.0	150.0	30.5	151.5	-	223.5	261.0
YU12		37.5	77.0	175.0	30.5	197.0	-	276.5	313.5
YT16		37.5	131.7	225.2	30.5	197.8	-	379.5	416.5
YT20		37.5	174.5	277.0	30.5	181.0	401.0	474.5	512.0
YT24		37.5	226.0	332.0	30.5	189.5	439.5	579.5	617.0
YS16		37.5	100.0	226.5	30.5	202.0	-	374.5	412.0
YEO12		39.5	44.0	159.5	30.5	111.8	-	269.0	306.5
YEO16		39.5	103.4	223.0	30.5	111.8	-	371.6	409.1
YEC12		39.5	44.0	159.5	30.5	269.0	-	280.0	317.5
YEC16		39.5	103.4	223.0	30.5	371.6	-	382.6	420.1



## Yale Size and Weight Parameters

Hinge Code (Top Hung)			Max. Vent Weight (Kg)	Min. Vent Height (mm)	Max. Vent Height (mm)	Operating Angle (+/- 2.5°)
13-14mm	16-17mm	17-18mm				
YU8	YU8-H		12	200	350	60
YT10	YT10-H		16	275	400	58
YU12	YU12-H		20	350	550	65
YT16	YT16-H		21	500	780	52
YT20	YT20-H		24	700	1000	42
YT24	YT24-H		35	850	1200	38

Hinge Code (Side Hung)			Max. Vent Weight (Kg)	Min. Vent Width (mm)	Max. Vent Width (mm)	Operating Angle (+/- 2.5°)
13-14mm	16-17mm	17-18mm				
YU8	YU8-H		18	200	400	60
YU12	YU12-H		22	300	600	65
YS16	YS16-H		24	400	700	60
YEO12	YEO12-H6   YEO12-H7		22	300	600	81
YEO16	YEO16-H6   YEO16-H7		24	400	700	84
YEC12	YEC12-H6   YEC12-H7		22	300	600	81
YEC16	YEC16-H6   YEC16-H7		24	400	700	84